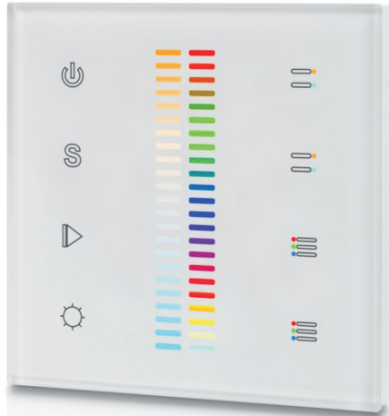


### Wall mounted RGBW Touch Controller



- **Feature**
  - 4 zones:  
Zone 1&2 for CCT LED  
Zone 3&4 for RGB LED
- Full Touch sensitive
- Save color and mode function
- Fit all EU wall box

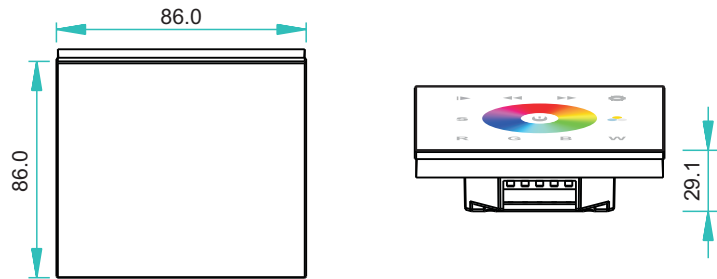
DMX+RF output: it can be used as both a DMX master and a RF remote



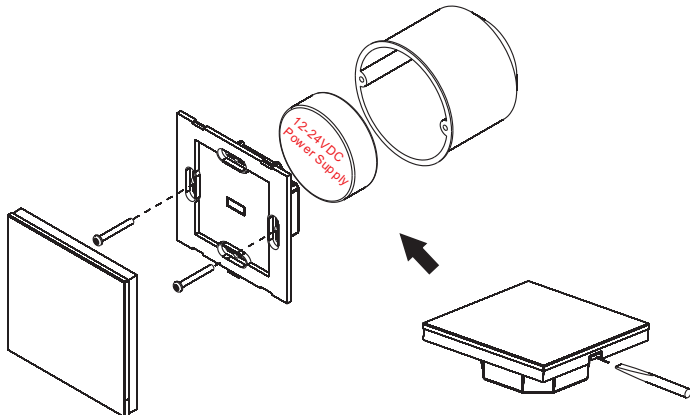
#### Parameter

Part No.	Input Voltage	Output	Size
SR-2830C	12-24VDC	DMX+RF signal	86x86x29.1

#### Product Size

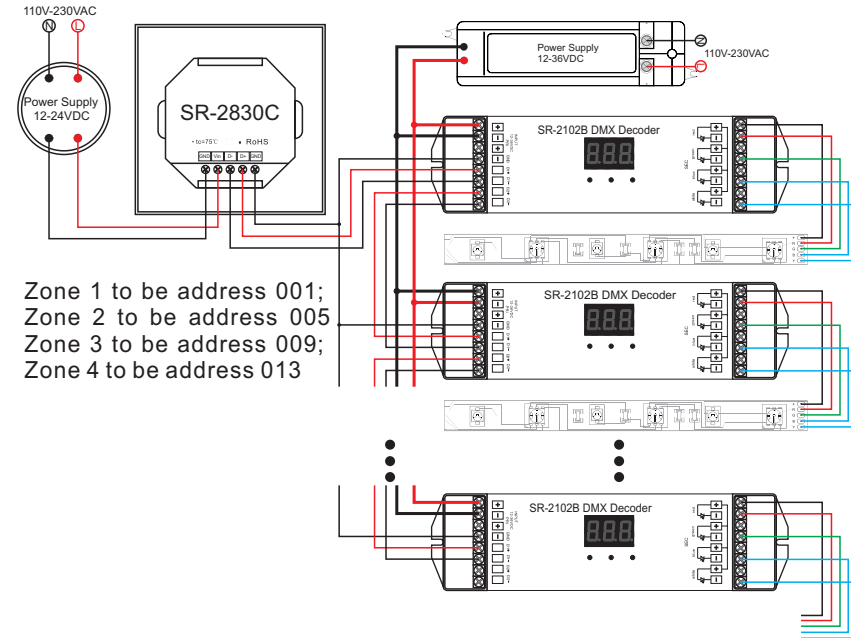


#### Installation



### 1. DMX output as a DMX Master, to connect DMX decoders.



Please set all connected DMX decoders as below:

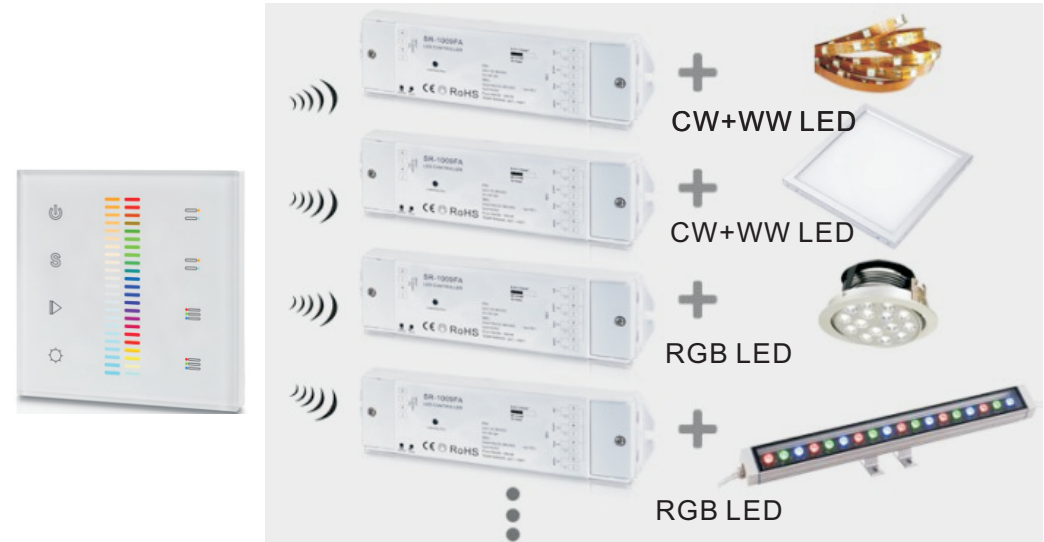


Zone 1 to be address 001;  
Zone 2 to be address 005  
Zone 3 to be address 009;  
Zone 4 to be address 013

### 2. RF output as a RF remote, to wireless match RF receivers, no need wiring.

The RF receivers are SR-1009XX series. Wireless control range is 30m. You need to pair SR-2830C(remote) with RF receivers:

1. power on remote and receivers
2. click "Learning Key" on receiver, then touch zone like  on remote then touch  by this way you can pair multiple receivers to the remote



Buttons Functions:

color wheel for CCT&RGB

On/Off for all zones

hold it to save 1 color

effects for RGB(zone3,4)only.  
short press to play  
short press again to pause.  
when playing,  
hold it to adjust speed  
hold to speed up, hold again to speed down

hold it to adjust brightness  
for CCT&RGB  
hold to dim up, hold again to dim down

Zone1

Zone2

Zone3

Zone4

for CCT (CW+WW) LED

for RGB LED

by holding zone number,  
to turn off/on that zone